

### FEATURES

Dual, current-controlled output current sources with 4 input channels

TTL-selectable output

Stable on-chip oscillators with independent frequency and amplitude control

TTL- or LVDS-selectable write channel enables negative logic

Independent TTL oscillator enables positive logic

170 mA minimum output current for the read channel

510 mA minimum output current for Write Channel 1

330 mA minimum output current for Write Channel 2

165 mA minimum output current for Write Channel 3

950 mA typical total output current

Typical rise time/fall time of 0.8 ns

Low power consumption

Single 5 V power supply ( $\pm 10\%$ )

### APPLICATIONS

DVD-R, DVD+R, DVD-RW, DVD+RW, DVD-RAM  
supercombo drives

Magneto-optical (MO) drives

Laser diode current switching

### GENERAL DESCRIPTION

The AD9665 is a laser diode driver for high performance CD-RW and DVD recordable drives. It includes four channels for four different optical power levels: the read channel generates a continuous output power level, whereas Channel 1, Channel 2, and Channel 3 can be used as write channels that can be controlled with an LVDS or TTL interface. The W<sub>x</sub>DIS and RD<sub>IS</sub> pins are active low logic. The OSCEN pin is controlled by an active high TTL signal. All active channels are summed at the output where Write Channel 1 can contribute at least 325 mA output current, and Write Channel 2 and Write Channel 3 can contribute at least 250 mA and 150 mA, respectively. The level of the output current is set by an external resistor, which converts this voltage into a current at the W<sub>x</sub>SET pin.

An on-chip oscillator is provided to allow output current modulation and to reduce laser-mode hopping. Four external resistors permit the setting of two distinct values for the frequency and swing of the oscillator. The oscillator can output up to 100 mA p-p of current (push-pull oscillator) with a frequency range of 200 MHz to 500 MHz.

#### Rev. SpD

Information furnished by Analog Devices is believed to be accurate and reliable. However, no responsibility is assumed by Analog Devices for its use, nor for any infringements of patents or other rights of third parties that may result from its use. Specifications subject to change without notice. No license is granted by implication or otherwise under any patent or patent rights of Analog Devices. Trademarks and registered trademarks are the property of their respective owners.

### FUNCTIONAL BLOCK DIAGRAM

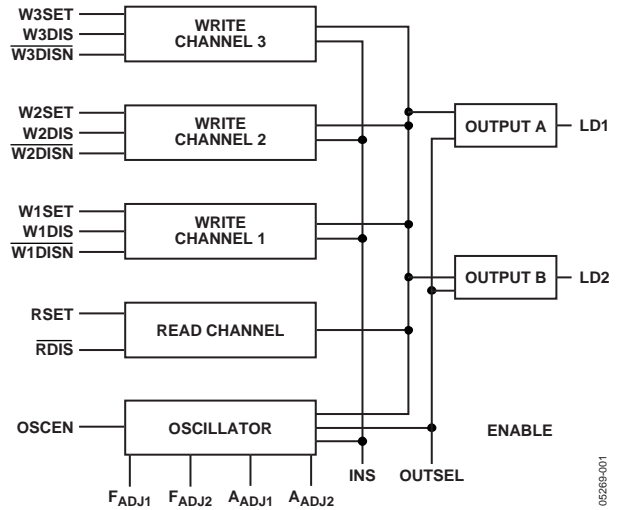
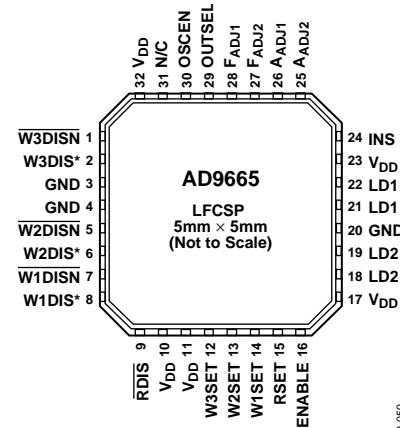


Figure 1. 4-Channel, LVDS, Laser Driver Block Diagram



\*TTL ACTIVE LOW SEE TABLE 3

Figure 2. 4-Channel, LVDS, Laser Driver Pin Configuration

For more information on the AD9665, email Analog Devices, Inc. at [high\\_current\\_drivers.com@analog.com](mailto:high_current_drivers.com@analog.com).

**AD9665**